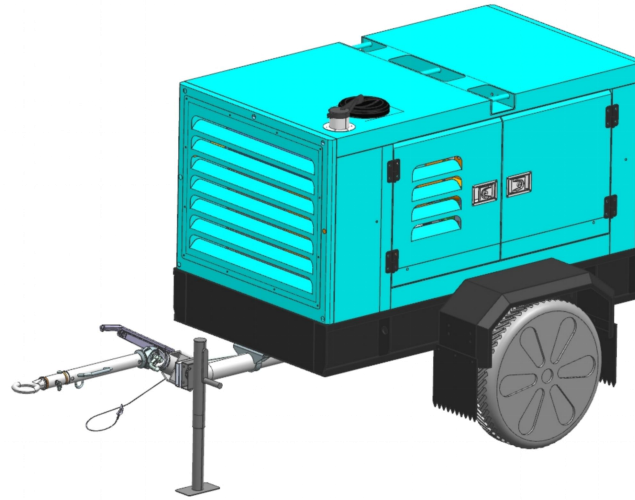


ALWAYS PERFORMED WELL



ALWAYS PERFORMED WELL

MDS100S7CC-NR2

Compressor type	Rotary Twin Screw, Single-Stage, Oil-cooled		
------------------------	--	--	--

Operational data		
------------------	--	--

Free Air Delivery	m ³ /min	2.8
	cfm	100
Rated Operating Pressure	bar	7
	psig	101.5

Engine		
--------	--	--

Maker/Model	CHANGCHAI ZN390Q	
Type	4 cycle, Inline, Water-cooled, Direct injection, Diesel	
Air Intake Way	Naturally Aspirated	
Injection System	Mechanical	
Emission regulation	China Non-Road Stage II	
Number of Cylinders	3	
Bore	mm	90
Stroke	mm	95
Displacement	l	1.813
Full Load Speed	rpm	2400
Unload Speed	rpm	1700
Power	kw(ps)	26.5(36)
Fuel Consumption	l/h(US gal/h)	4.9(1.305)

Filling capacities		
--------------------	--	--

Compressor Oil System	l(US gal)	6.5(1.73)
Diesel Tank	l(US gal)	30(7.93)
Engine Coolant System	l(US gal)	7.8(2.06)
Engine Oil System	l(US gal)	5(1.32)

Dimensions & weight and connections			
-------------------------------------	--	--	--

Box	Length	mm(in)	1850(73)
	Width	mm(in)	1050(41)
	Height	mm(in)	1320(52)
	weight(Dry)	kg(lb)	900(1984)
	weight(Wet)	kg(lb)	927(2044)
Portable	Length	mm(in)	3226(127)
	Width	mm(in)	1638(65)
	Height	mm(in)	1770(67)
	weight(Dry)	kg(lb)	1000(2205)
	weight(Wet)	kg(lb)	1027(2264)
Compressed air outlet	2 x G3/4"		

* Note: Due to continuous improvements in the products, the technical specifications are subject to change without prior notice.

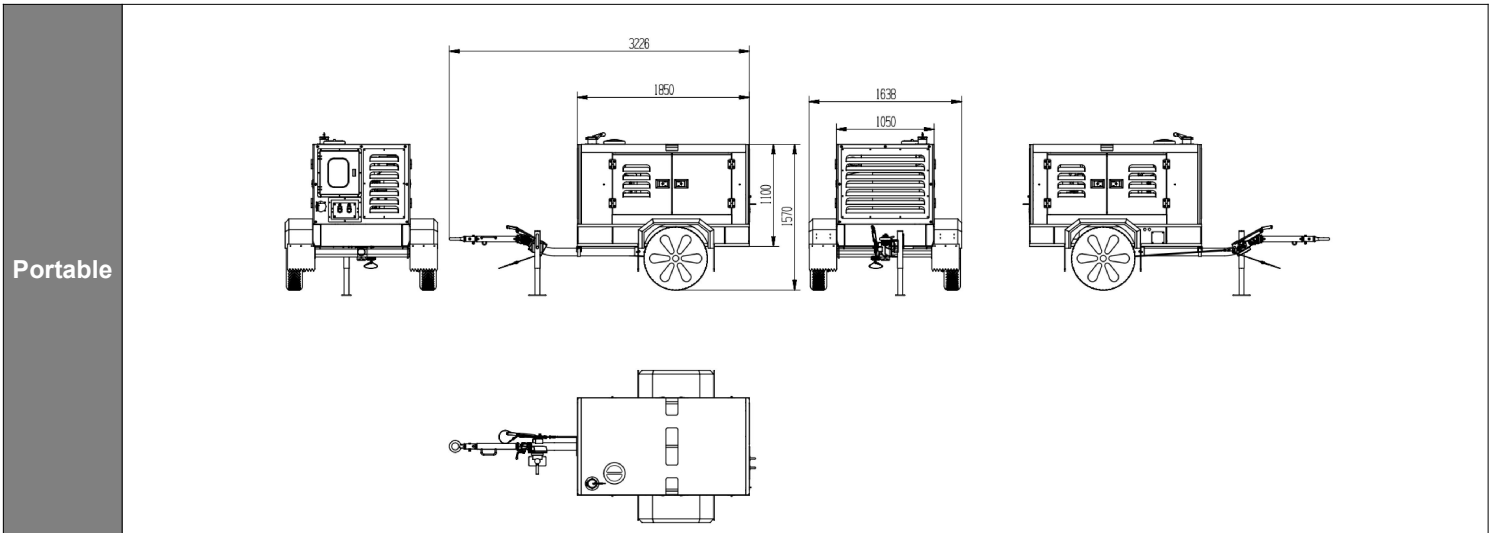
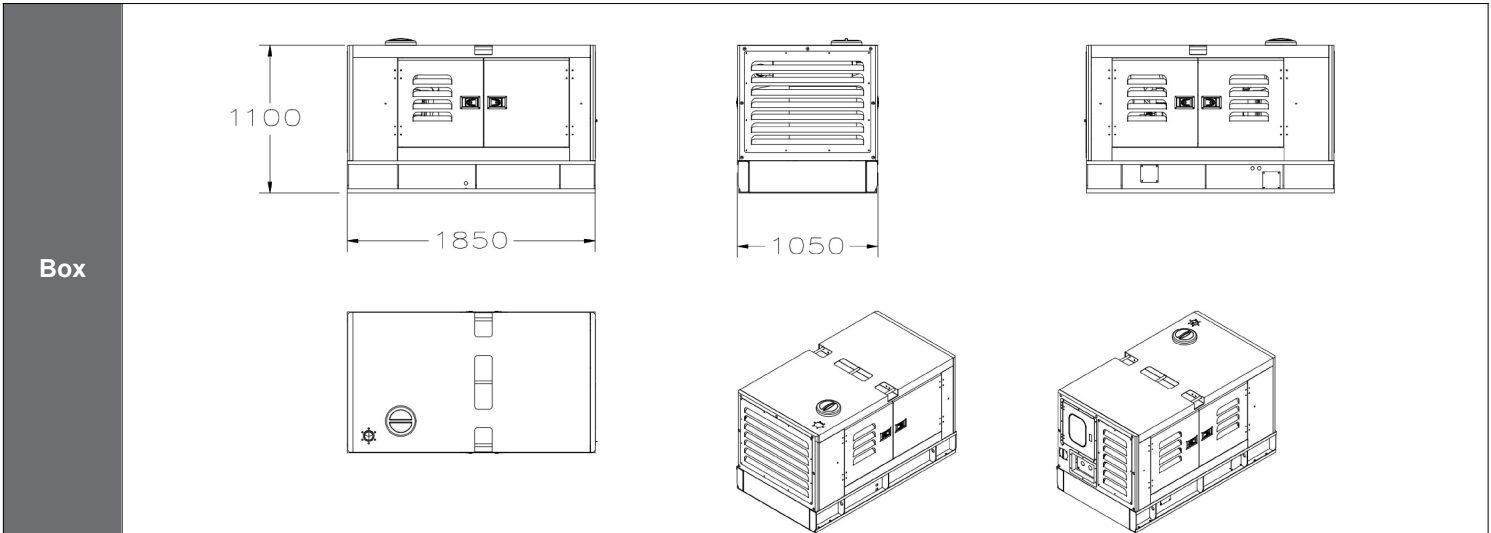
ALWAYS PERFORMED WELL

MDS100S7CC-NR2 Technical Data

Many options for many applications

Compressed Air Quality	Compressor Equipment	Integrated Generator	Engine Accessories	Others
«Built-in aftercooler	«Hose reel	«5KVA «7KVA	«Spark arrestor	«Color
«Built-in microfilter combination	«Remote start / stop	«9KVA «15KVA	«Engine shutdown at overspeed from flammable gases	«Fuel tank capacity
«Integrated Oiler	«Tool-Box «Bunded bottom box			

Dimensions



CERTIFICATION

GCCA:GC009G01
 CE certification: Machinery Directive 2006/42/EC
 GB/T 45001-2020/ISO 45001:2018 ,GB/T 24001-2016/ISO14001:2015, ISO9001:2015

WARRANTY COVERAGE

PACKAGE: 1 year or 2,000 hours
ENGINE: Carries the manufacturer's warranty
AIREND: **STANDARD:** 2 years or 4,000 hours
EXTENDED: 5 years or 10,000 hours with the use of GTL filters and fluids



XIAMEN GTL POWER SYSTEM CO.,LTD

Marketing Center: 5F, Bo an Shi Tong Building, No.997-999, Tianma Rd, Jimei,Xiamen,361100 **TEL:** +86 (0592)7196398

China Manufacturer Center: 1#Factory Building No.8 Tonghong Rd, Tong'an District,Xiamen,361100,China **WEB:** www.cngtl.com

For more information, product demonstration, or details on purchase, lease and rental plans, please contact your local GTL distributor.

Effective Date: 01012025 Product specifications and prices are subject to change without notice or obligation. The photographs and/or drawings in this document are for illustrative purposes only. Refer to the appropriate Operator's Manual for instructions on the proper use of this equipment. Failure to follow the appropriate Operator's Manual when using our equipment or to otherwise act irresponsibly may result in serious injury or death. The only warranty applicable to our equipment is the standard written warranty applicable to the particular product and sale and we make no other warranty, express or implied. Products and services listed are trademarks, service marks or trade-names of Xiamen GTL Power System Co.,Ltd